

PL-T3-5A RGB RECEIVING CONTROLLER

Principal LED offers a complete range of indoor power supplies for POP, cove, and retail applications, as well as dimmers and RGB controllers. We even carry wire to help finish the job!

RGB Receiving Controller

- Input Voltage: DLC12V-DC24V
- Max. Current Load: 5A X 3CH / Max. 15A
- Max. Output Power: 180W/360W (12V/24V)
- Compatible Remote Control: T3M



Product	UL Part Number	Ordering Part Number
RGB CV Receiving Controller	PL-T3-5A	P-C315

PL-T3M RGB REMOTE

RGB Remote Control

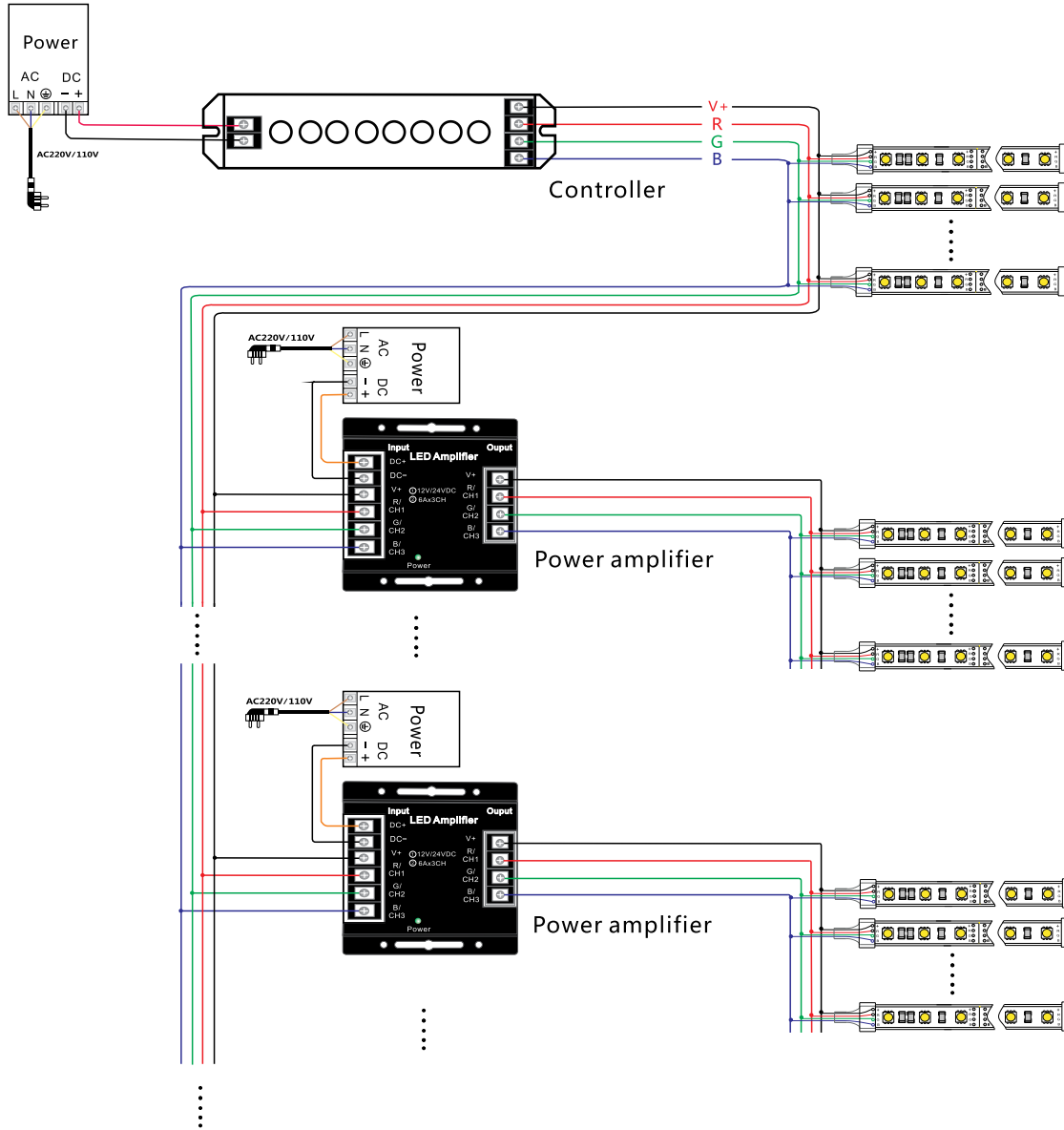
- Input Voltage: DC5V Built-in Lithium Battery
- Working Current: < or = 30mA
- Battery Capacity: 1000mAh
- Connection Mode: Sync Control unlimited receivers



Product	UL Part Number	Ordering Part Number
RGB Remote Control	PL-T3M	P-C315-WR



POWER AMPLIFIER FIGURE



www.p-led.com

(325) 227-4577

3490 Venture Drive, San Angelo, Texas 76905

info@p-led.com